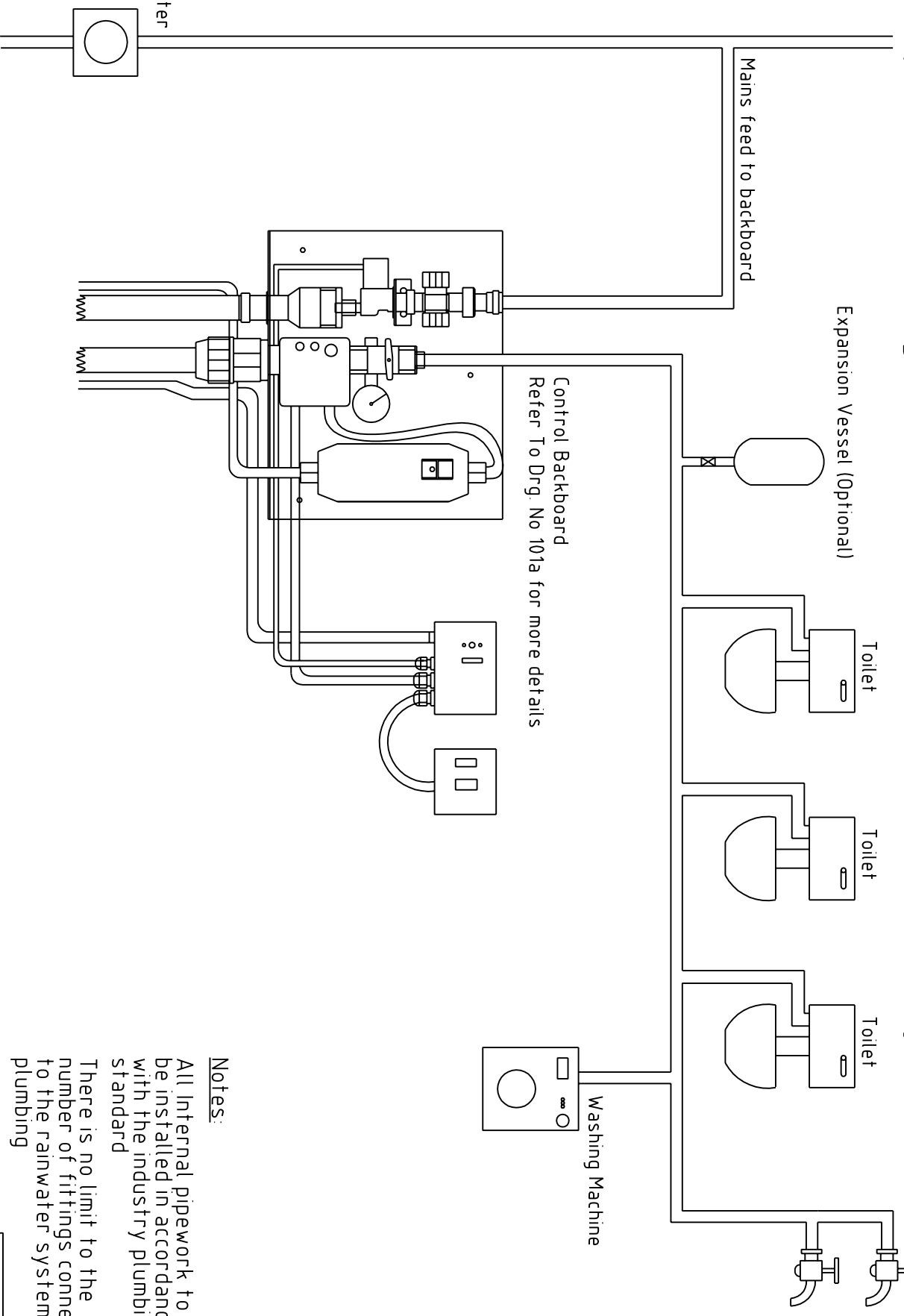


Mains feed to property
potable supply

Plumbing Schematic - Direct Pressure Systems



Control Backboard
Refer To Drg. No 101a for more details

Notes:

All Internal pipework to be installed in accordance with the industry plumbing standard
There is no limit to the number of fittings connected to the rainwater system plumbing

Revisions
All Expansion Vessel Added 02/03/05



Title: Plumbing Schematic Drawing	Scale: Do not scale	Drawn By: SH	Date: 19/03/04
All dimensions in millimetres unless otherwise stated		Checked:	Drg. No 109